



School Information Pack

Furniture in the classroom.

Whiteboard

Arabic - سبورة رقمية متفاعلة -

Bulgarian - Интерактивна цифрова дъска

Polish - tablica multimedialna

Romanian - Tablă Digitală Interactivă

Spanish - Pizarra Digital Interactiva



Chair

Arabic - كرسي

Bulgarian - стол

Polish - krzesło

Romanian - scaun

Spanish - silla



Table

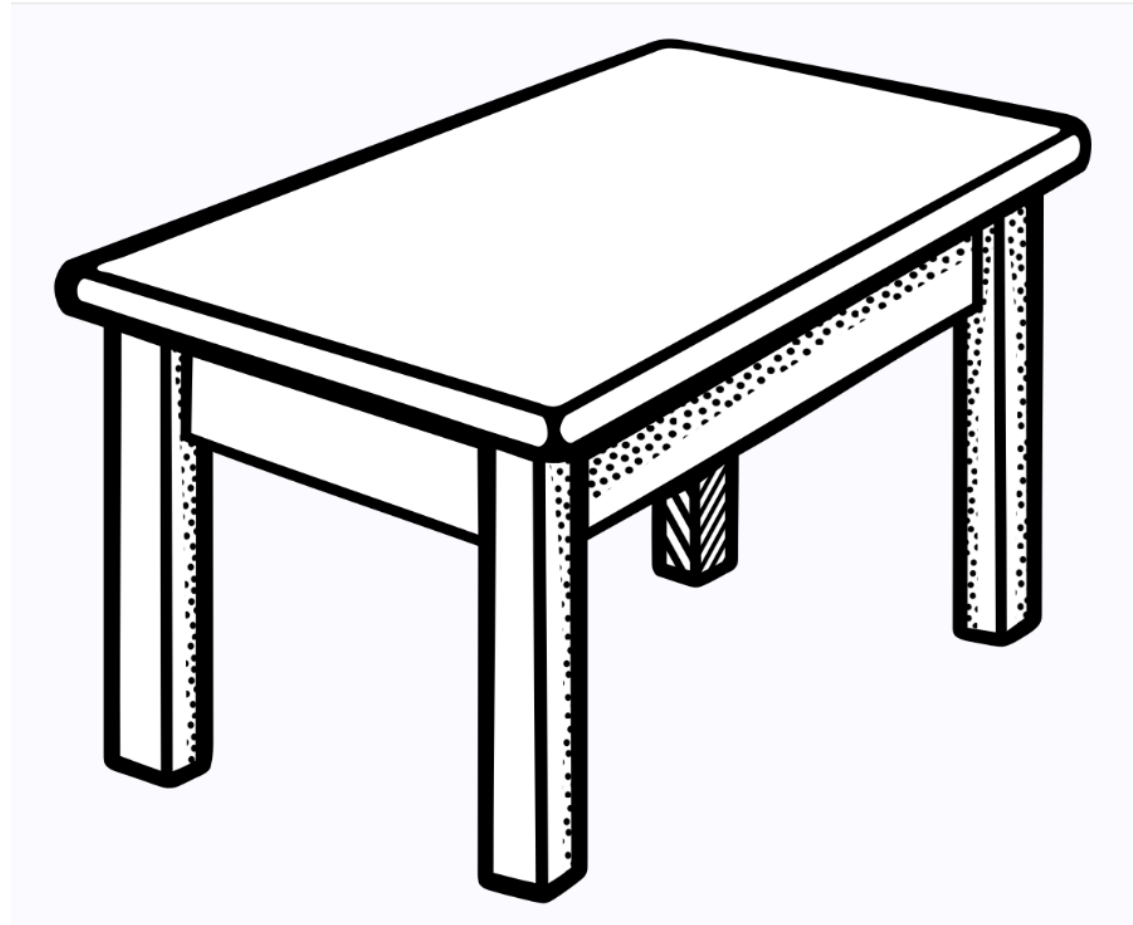
Arabic - **منضدة**

Bulgarian - *masa*

Polish - *stół*

Romanian - *masă*

Spanish - *mesa*



Bin

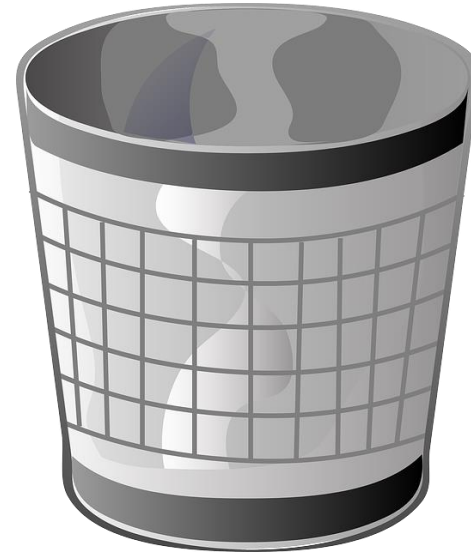
Arabic - سلة القمامة

Bulgarian - кофа за боклук

Polish - kubeł na śmieci

Romanian - găleată de guno

Spanish - cubo de basura



Door

Arabic -

باب

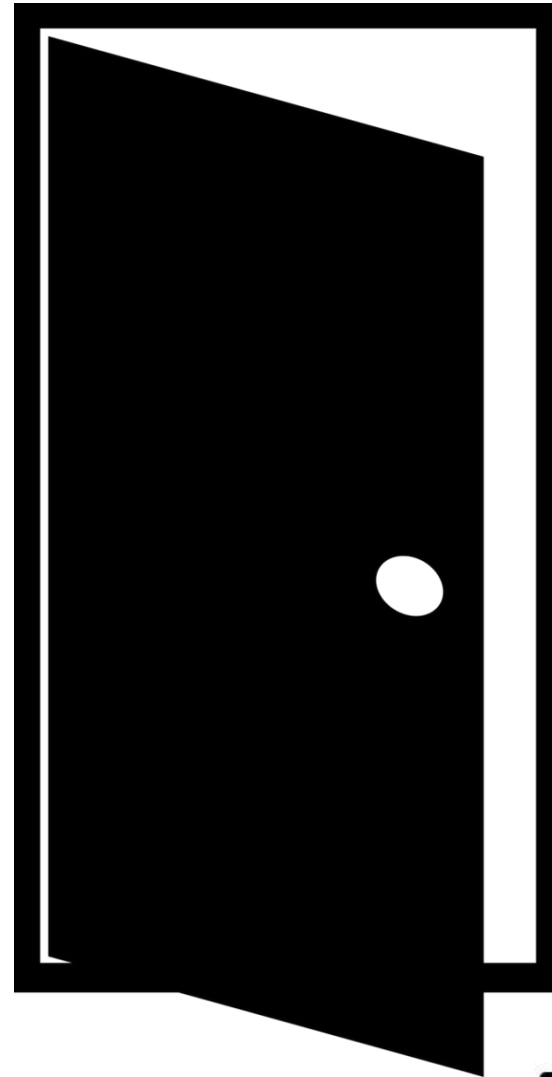
Bulgarian - врата

Polish - drzwi

Romanian - poartă

Romanian - ușă

Spanish - puerta



Window

Arabic -

نافذة

Bulgarian - прозорец

Polish - okno

Romanian - fereastră

Spanish - ventana

