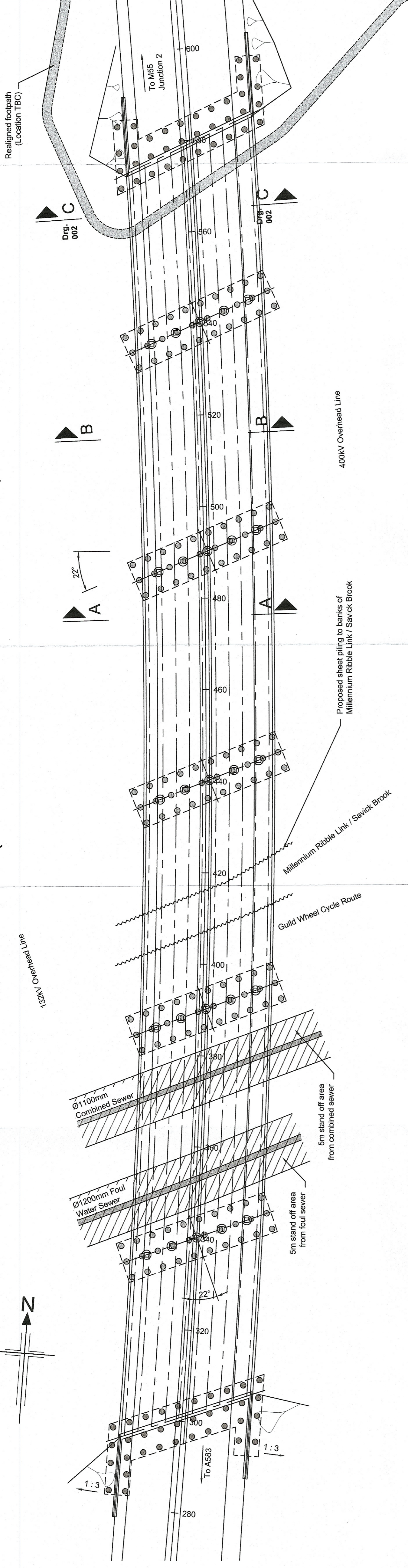


THE LANCASHIRE COUNTY COUNCIL (SAVICK BROOK VIADUCT) SCHEME 2018

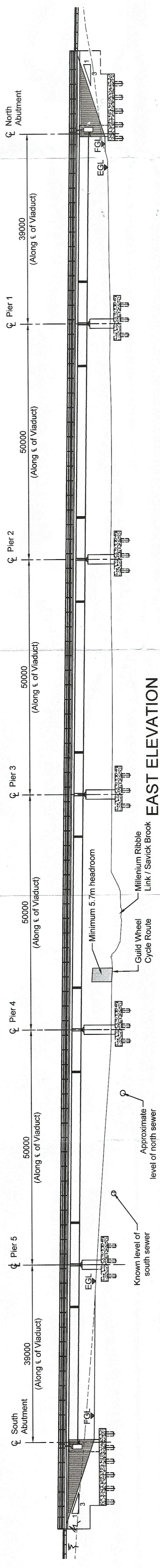
ORDERS UNDER SECTION 106 OF THE HIGHWAYS ACT 1980

PLAN NOTES

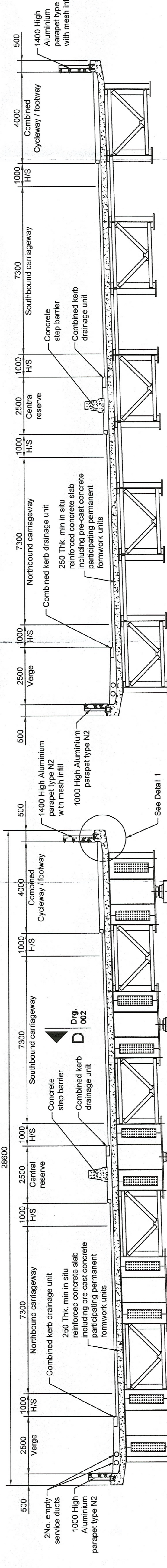
1. THIS DRAWING IS TO BE READ IN CONJUNCTION WITH ANY OTHER RELEVANT DRAWINGS. ANY DISCREPANCIES, ERRORS OR OMISSIONS TO BE BROUGHT TO THE ATTENTION OF LANCASHIRE COUNTY COUNCIL.
2. THE SURVEY INFORMATION SHOWN IS TOPOGRAPHICAL SURVEY, SUPPLEMENTED WITH ORDNANCE SURVEY BEYOND TOPOGRAPHICAL SURVEY EXTENTS. THE ACCURACY OF EACH SURVEY IS TO BE NOTED AND CONFIRMED BY THE CONTRACTOR ON SITE.
3. ALL LEVELS ARE IN METRES ABOVE ORDNANCE DATUM.
4. THIS DRAWING IS PART OF A SERIES AND SHOULD BE READ WITH THE OTHER DRAWINGS AS PART OF THE WORK PACKAGE. OTHER DIMENSIONS ARE IN METRES UNLESS STATED.
5. OTHER DIMENSIONS ARE IN METRES UNLESS STATED.
6. DO NOT SCALE OFF THIS DRAWING.



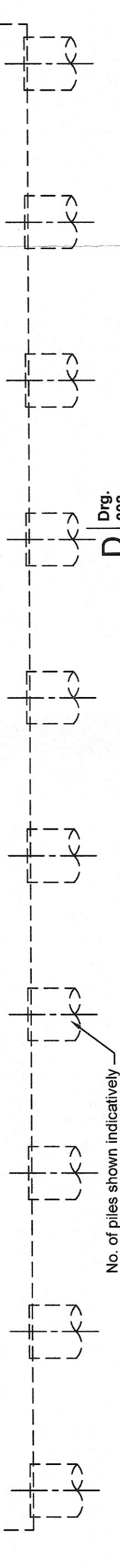
PLAN ON VIADUCT
SCALE 1:500



EAST ELEVATION
SCALE 1:500



TYPICAL CROSS SECTION AT MIDSPAN (B-B)
SCALE 1:100



TYPICAL CROSS SECTION AT PIERS (A-A)
SCALE 1:100



R. Brown
26539

AUTHORISED SIGNATURE

REVISIONS

No.	DATE	AMENDMENT DETAILS	CHECKED BY	DRAWN BY



Planning & Environment

City Deal Delivery Team

PROJECT TITLE
CLM01
Preston Western Distributor and East West Link Road

DRAWING TITLE
Typical Cross Sections

DRAWN BY	C RILEY	PROJECT No.	CLM01
CHECKED BY	K WHALLEY	DRAWING No.	CLM01-LCC-DO-6609-0002
DATE	JAN 18	SHEET No.	REVISION: W01-INF
SCALE @ A1	AS SHOWN	CLIENT No.	CLM01